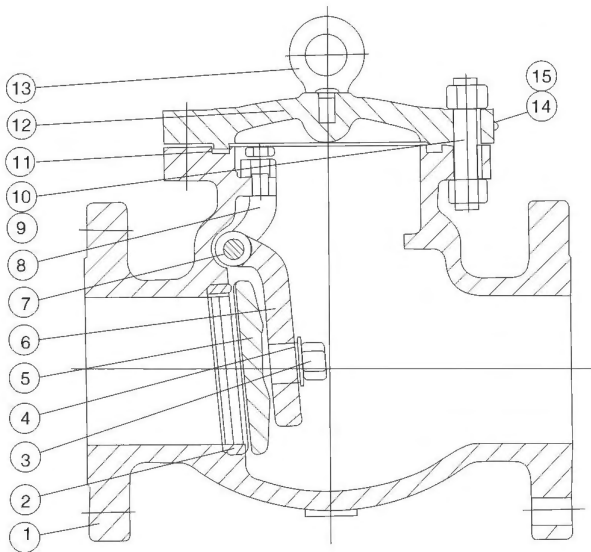


Check Valve

Gate Valve, Globe Valve, Plug Valve, Check Valve, Butterfly Valve, Power Station Valve, Oilfield Dedicated Valve Y-Strainer.



Bolted, Cover, Swing Type Disc,
Threaded or
Welded Seat Ring

SATNDARDS COMPLIANCE:

Basic Design: BS 1868
Face to Face Dimension: ANSI B16.10
End to End Dimension: ANSI B16.10
Flanged Ends: 2" ~ 24" to ANSI B16.5
> 24: to MSS SP-44
to ANSI B16.34 on request
B. W. Ends to ANSI B16.25
Manufacturing to NACE MR-01-75 on request

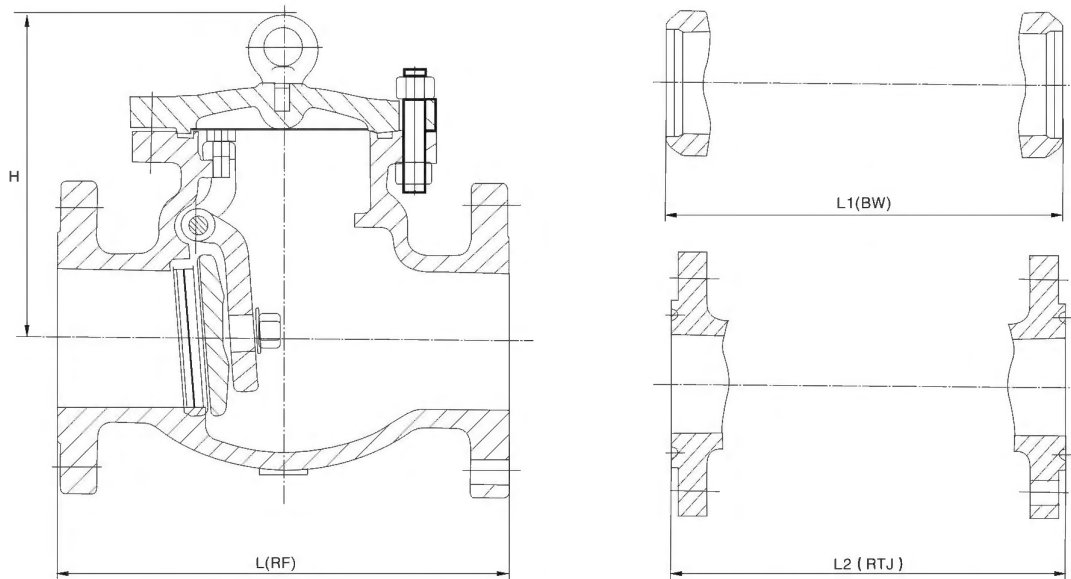
Standard Material Specifications

No	Part Name	Carbon steel to ASTM		Alloy steel to ASTM			Stainless Steel to ASTM			
		WCB	LCB	WC6	WC9	C5	CF8	CF8M	CF3	CF3M
1	Body	A216 WCB	A352 LCB	A217 WC6	A217 WC9	A217 C5	A351 CF8	A351 CF8M	A351 CF3	A351 CF3M
2	Seat Ring	A105	A350 LF2	A182 F11	A182 F22	A182 F5	A182 F304	A182 F316	A182 F304L	A182 F316L
3	Disc Nut	A182 F304					A182 F304	A182 F316	A182 F304L	A182 F316L
4	Disc Washer	A182 F304					A182 F304	A182 F316	A182 F304L	A182 F316L
5	Disc	A216 WCB	A352 LCB	A217 WC6	A217 WC9	A217 C5	A351 CF8	A351 CF8M	A351 CF3	A351 CF3M
6	Hinge	A216 WCB	A352 LCB	A217 WC6	A217 WC9	A217 C5	A351 CF8M	A351 CF8M	A351 CF3	A351 CF3M
7	Hinge Pin	A182 F304					A182 F304	A182 F316	A182 F304L	A182 F316L
8	Yoke	A216 WCB	A352 LCB	A217 WC6	A217 WC9	A217 C5	A351 CF8	A351 CF8M	A351 CF3	A351 CF3M
9	Bonnet nut	A194 2H	A194 4	A194 7			A194 8			
10	Bonnet bolt	A193 B7	A30 L7	A193 B16			A193 B8			
11	Gasket	SS Spiral Wound/graphite or SS Spiral Wound/PTFE								
12	Cover	A216 WCB	A352 LCB	A217 WC6	A217 Wc9	A217C5	A351 CF8	A351 CF8M	A351 CF3	A351 CF3M
13	Hook Screw	Steel								
14	Nameplate	Stainless steel or Aluminum								
15	Rivet	Stainless steel or Aluminum								

Other materials (Alloy 20, AISI 321, ASI 347, Monel, Hastelloy, etc) are available on request.

Check Valve

Gate Valve, Globe Valve, Plug Valve, Check Valve, Butterfly Valve, Power Station Valve, Oilfield Dedicated Valve Y-Strainer.



Test Pressure to API598

Class	Body Material	Shell Test (Hydrostatic)	Seat Test (Hydrostatic)	Seat Test (Air)
150	WCB	450psi	315psi	80psi
	WC6	450psi	319psi	
	CF8M	425psi	303psi	
300	WCB	1125psi	814psi	80psi
	WC6	1125psi	825psi	
	CF8M	1100psi	792psi	
600	WCB	2225psi	1628psi	80psi
	WC6	2250psi	1650psi	
	CF8M	2175psi	1548psi	
900	WCB	3350psi	2442psi	80psi
	WC6	3375psi	2475psi	
	CF8M	3250psi	2376psi	
1500	WCB	5575psi	4078psi	80psi
	WC6	5625psi	4125psi	
	CF8M	5400psi	3960psi	

Check Valve

Gate Valve, Globe Valve, Plug Valve, Check Valve, Butterfly Valve, Power Station Valve, Oilfield Dedicated Valve Y-Strainer.

Dimensions and Weights

Class 150																	
NPS	in	2	2-1/2	3	4	5	6	8	10	12	14	16	18	20	24	30	36
DN	mm	50	65	80	100	125	150	200	250	300	350	400	450	500	600	750	900
L-L1 (RF-BW)	in	8	8-1/2	9-1/2	11-1/2	13	14	19-1/2	24-1/2	27-1/2	31	34	38-1/2	38-1/2	51	60	77
	mm	203	216	241	292	330	356	495	622	698	787	864	978	978	1295	1524	1955
L2 (RTJ)	in	8-1/2	9	10	12	13-1/2	14-1/2	20	25	28	31-1/2	34-1/2	39	39	51-1/2	60-1/2	77-1/2
	mm	216	229	254	305	343	368	508	635	711	800	876	991	991	1308	1537	1968
H (OPEN)	in	5-7/8	6-5/8	7-1/16	8-1/4	9-1/16	10-13/16	13-3/8	14	16-1/8	18-11/16	21-3/4	23-5/8	26	29-1/8	38-5/8	40-3/4
	mm	150	168	180	210	230	275	340	355	410	475	552	600	660	740	980	1035
WT (kg)	RF	17	21	29	42	69	74	108	177	282	372	570	665	900	1359	2120	3344
	BW	13	17	24	36	57	62	96	158	238	324	483	548	782	1150	1890	2940

Class 300																
NPS	in	2	2-1/2	3	4	5	6	8	10	12	14	16	18	20	24	30
DN	mm	50	65	80	100	125	150	200	250	300	350	400	450	500	600	750
L-L1 (RF-BW)	in	10-1/2	11-1/2	12-1/2	14	15-3/4	17-1/2	21	24-1/2	28	33	34	38-1/2	40	53	62-3/4
	mm	267	292	318	356	400	444	533	622	711	838	864	978	1016	1346	1594
L2 (RTJ)	in	11-1/8	12-1/8	13-1/8	14-5/8	16-3/8	18-1/8	21-5/8	25-1/8	28-5/8	33-5/8	34-5/8	39-1/8	40-3/4	53-7/8	63-3/4
	mm	283	308	333	371	416	460	549	638	727	854	879	994	1036	1368	1619
H	in	7-1/16	7-1/4	8-1/4	10-5/8	13-9/16	14-3/16	14-9/16	15-1/8	17-5/16	20-7/16	21-13/16	23-1/4	24-3/16	27-15/16	34-1/16
	mm	180	185	210	270	345	360	370	385	440	520	554	590	614	614	866
WT (kg)	RF	21	32	43	61	84	131	213	384	449	680	840	1025	1320	1960	3270
	BW	16	24	35	44	61	105	167	272	375	560	710	828	1070	1586	2830

Class 600														
NPS	in	2	2-1/2	3	4	6	8	10	12	14	16	18	20	24
DN	mm	50	65	80	100	150	200	250	300	350	400	450	500	600
L-L1 (RF-BW)	in	11-1/2	13	14	17	22	26	31	33	35	39	43	47	55
	mm	292	330	356	432	559	660	787	838	889	991	1092	1194	1397
L2 (RTJ)	in	11-5/8	13-1/8	14-1/8	17-1/8	22-1/8	26-1/8	31-1/8	33-1/8	35-1/8	39-1/8	43-1/8	47-1/4	55-3/8
	mm	295	333	359	435	562	664	791	841	892	994	1095	1200	1407
H	in	7-3/4	8-1/8	9-1/8	11-1/16	14-1/4	17-3/16	19-5/16	20-3/4	22-1/2	26	28-3/8	29-3/8	37-13/16
	mm	197	207	231	281	362	437	490	528	572	660	720	746	960
WT (kg)	RF	36	49	68	111	230	416	673	875	944	1220	1620	2120	3100
	BW	28	40	57	83	191	361	543	770	820	1015	1350	1750	2520

*Manual gear operator is recommended

Check Valve

Gate Valve, Globe Valve, Plug Valve, Check Valve, Butterfly Valve ,
Power Station Valve , Oilfield Dedicated Valve Y-Strainer.

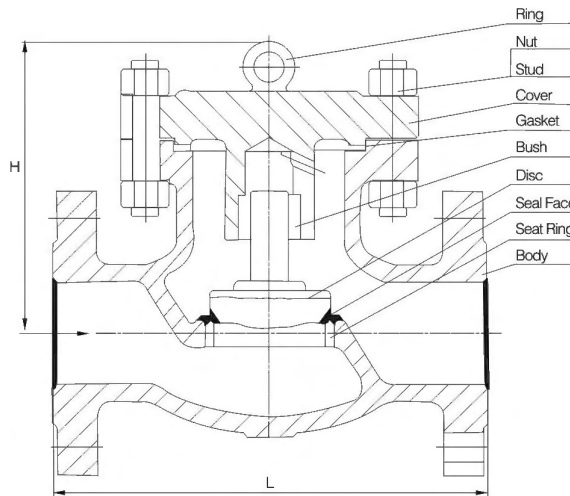
Dimensions and Weights

Class 900											
NPS	in	2	2-1/2	3	4	6	8	10	12	14	16
DN	mm	50	65	80	100	150	200	250	300	350	400
L-L1 (RF-BW)	in	14-1/2	16-1/2	15	18	24	29	33	38	40-1/2	44-1/2
	mm	368	419	381	457	610	737	838	965	1029	1130
L2 (RTJ)	in	14-5/8	16-5/8	15-1/8	18-1/8	24-1/8	29-1/8	33-1/8	38-1/8	40-7/8	44-7/8
	mm	371	422	384	460	613	740	841	968	1038	1140
H	in	9-7/16	10-1/4	10-1/4	12-5/8	15	20-7/8	22-1/16	23-1/4	24-13/16	27-9/16
	mm	240	260	260	320	382	530	560	590	630	700
WT (kg)	RF	69	93	91	145	259	565	900	1200	1500	2130
	BW	52	74	70	112	218	448	733	975	1240	1760

Class 1500									
NPS	in	2	2-1/2	3	4	6	8	10	12
DN	mm	50	65	80	100	150	200	250	300
L-L1 (RF-BW)	in	14-1/2	16-1/2	18-1/2	21-1/2	27-3/4	32-3/4	39	44-1/2
	mm	368	419	470	546	705	832	991	1130
L2 (RTJ)	in	14-5/8	16-5/8	18-5/8	21-5/8	28	33-1/8	39-3/8	45-1/8
	mm	371	422	473	549	700	841	1000	1146
H	in	12-1/4	12-1/4	13	14	15-3/4	20-7/8	22-1/16	25-5/8
	mm	310	310	330	355	400	530	560	650
WT (kg)	RF	69	93	140	232	490	990	1490	1970
	BW	49	74	111	185	375	803	1250	1625

Class 150/300 Lift Check Valve

Gate Valve, Globe Valve, Plug Valve, Check Valve, Butterfly Valve, Power Station Valve, Oilfield Dedicated Valve Y-Strainer.



STRUCTURE TYPE

Bolted Cover, Lift Type Disc, Threaded Seat Ring.

STANDARDS:

Basic design: ASME B16.34 and BS 1868
 Face to Face Dimensions: ASME B16.10
 End Flange Dimensions: ASME/ANSI B16.5a
 Shell Wall Thickness: ASME B16.34
 Test: API 598
 Pressure-Temperature Rating: ASME B16.34

Standard Material Specifications

Part Name	WCB series	304 series	316 series	Cr-Mo(V) series	low temperature series	resist sulphur series	Monel inside series
Body Cover	A216-WCB	A351-CF8 -CF3	A351-CF8 -CF3M	A217-WC6 WC9 -C5	A352-LCB -LCC	A351-CF8M	A216 WCB
Disc	A105 A182-F6a	A182-F304 -F304L	A182-F316 -F316L	A182-F11 F22 F6a	A182-F6a	A182-F316	Monel k400
Seat Ring	A105 A182-F6a	A182-F304 -304L	A182-F316 -316L	A182-F6a F22	A182-F6a	A182-F316	Monel k400
Seal Face	13%Cr 13%Cr STL/13%Cr stainless steel valve local body/STL STL/STL						Monel k400
Gasket	304 or 316 stainless steel twisted flexible graphite						Monel+ Twisted flexible graphite
Stud	A193-B7	A193-B8	A193-B8	A193 B16	A320-L7	A193-B7	A193-B7
Nut	A194-2H	A194-8	A194-8	A194-7	A194-4	A197-2H	A194-2H
Ring	A105	A182-F6a	A182-F6a	A182-F6a	A182-F6a	A182-F6a	A105

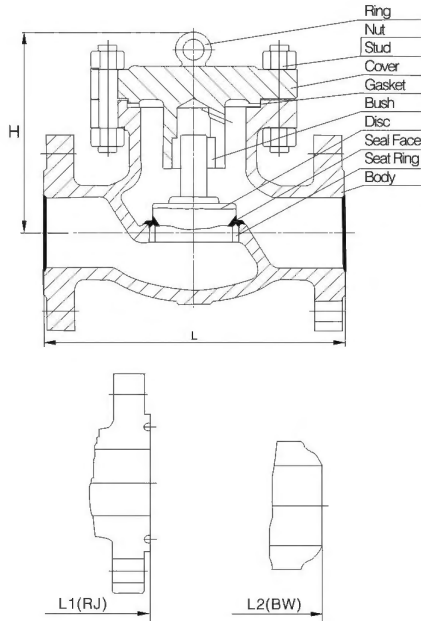
NOTE: Other materials can be selected according to the customer's requirement.

Dimensions and Weights

	NPS DN	in mm	2	2-1/2	3	4	5	6	8	10	12
			50	65	80	100	125	150	200	250	300
L (RF)	Class 150	in mm	8 203	8-1/2 216	9-1/2 241	11-1/2 292	14 356	16 406	19-1/2 495	24-1/2 622	27-1/2 698
	Class 300	in mm	10-1/2 267	11-1/2 292	12-1/2 318	14-3/8 356	15-3/4 400	17-1/2 445	22 559	24-1/2 622	28 711
H	Class 150	in mm	7-1/16 179	7-5/8 194	8-7/16 214	9-3/8 238	10-1/4 260	11-7/16 291	13-1/2 343	15-5/16 389	17-1/4 438
	Class 300	in mm	7-13/16 198	8-5/8 219	9-5/8 244	10-13/16 275	113/4 298	12-7/8 327	15 381	17 432	19-1/2 495
WT	Class 150		17	25	29	48	68	85	138	210	350
	Class 300		28	33	42	67	98	135	203	296	448

Class 600 Lift Check Valve

Gate Valve, Globe Valve, Plug Valve, Check Valve, Butterfly Valve, Power Station Valve, Oilfield Dedicated Valve Y-Strainer.



STRUCTURE TYPE

Bolted Cover, Lift Type Disc, Threaded Seat Ring

STANDARDS:

Basic design: ASME B16.34 and BS 1868

Face to Face Dimensions: ASME B16.10

End Flange Dimensions: ASME/ANSI B 16.5a

Shell Wall Thickness: ASME B16.34

Test: API 598

Pressure-Temperature Rating: ASME B16.34

Standard Material Specifications

Part Name	WCB series	304 series	316 series	Cr-Mo(V) series	low temperature series	resist sulphur series	Monel inside series
Body	A216-WCB	A351-CF8	A351-CF8M	A217-WC6	A352-LCB	A351-CF8M	A216-WCb
Cover		-CF3	-CF3M	-WC9	-LCC		
Disc	A105 A182-F6a	A182-F304	A182-F316 -F316L	A182-F11 F22 F6a	A182-F6a	A182-F316	Monel K400
Seat Ring	A182-F6a	-F304L A182-F304	A182-F316 -F316L	A182-F6a F22	A182-F6a	A182-F316	Monel K400
Seal Face	13% Cr 13%CrSTL/13%Cr stainless steel valve local body/STL STL/STL						Monel K400
Gasket	304 or 316 stainless steel twisted flexible graphite						Monel+Twisted Flexible graphite
Stud	A193-B7	A193-B8	A193-B8	A193 B16	A320-L7	A193-B7	A193-B7
Nut	A194-2H	A194-8		A197-7	A194-4	A197-2H	A194-2H
Ring	A105	A182-F6a	A182-F6a	A182-F6a	A182-F6a	A182-F6a	A105

NOTE: Other materials can be selected according to the customer's requirement.

Dimensions and Weights

NPS	in	2	2-1/2	3	4	5	6	8	10	12
DN	mm	50	65	80	100	125	150	220	250	300
L	in	11-1/2	13	14	17	20	22	26	31	33
(RF)	mm	292	330	356	432	508	559	660	787	838
L1	in	11-5/8	13-1/8	14-1/8	17-1/8	20-1/8	22-1/8	26-1/8	31-1/8	33-1/8
(RJ)	mm	295	333	359	435	511	562	664	791	841
L2	in	11-1/2	13	14	17	20	22	26	31	33
(BW)	mm	292	330	356	432	508	559	660	787	838
H	in	8-7/16	9-1/4	10-5/16	11-13/16	13	14-1/2	16-9/16	19	20-7/8
	mm	214	235	262	300	330	368	421	483	530
WT	in	32	45	58	102	147	195	308	455	630
Kg	mm	27	38	47	79	104	148	211	305	470