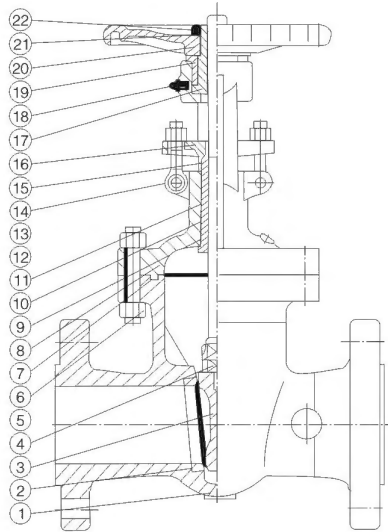


Gate Valve

Gate Valve, Globe Valve, Plug Valve, Check Valve, Butterfly Valve, Power Station Valve, Oilfield Dedicated Valve Y-Strainer.



OS & Y, Rising Stem, Flexible Solid Wedge
Bolted Bonnet, Threaded or Welded Seat Ring
Non-Rising Gate Valve

STANDARDS COMPLIANCE:

Basic Design: API600, BS1414
Face to Face Dimension: ANSI B16.10
End to End Dimension: ANSI B16.10
End Flange Dimension: 2"-24" to ANSI B16.5, 26"-60" to MSS
SP-44, to ANSI B16.47-A on request
B. W. Ends to ANSI B16.25
Manufacturing to NACE MR-01-75 on request

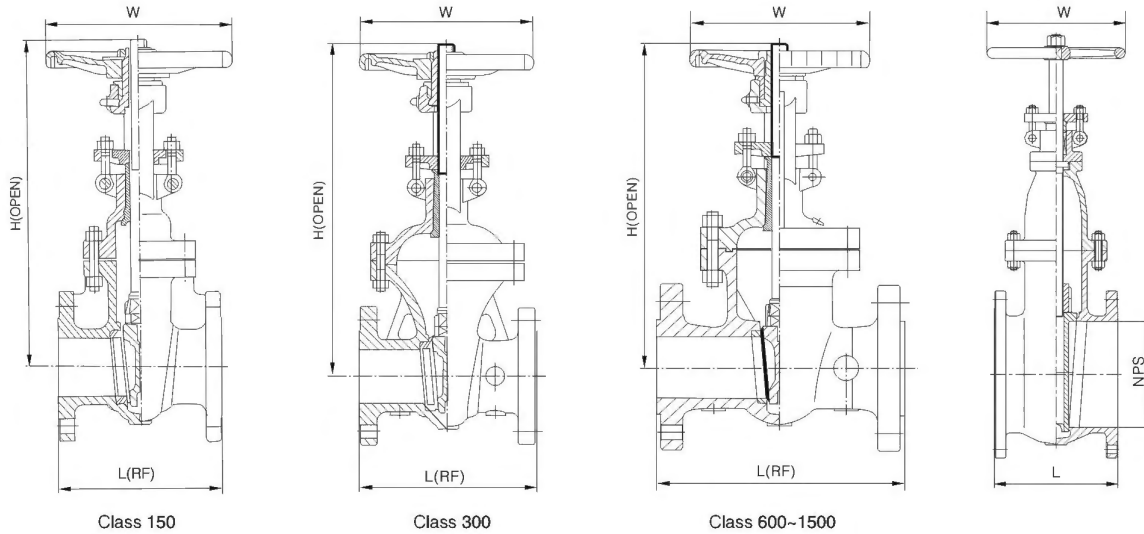
Standard Material Specifications

No	Part Name	Carbon steel to ASTM		Alloy steel to ASTM			Stain Steel to ASTM			
		WCB	LCB	WC6	WC9	C5	CF8	CF8M	CF3	CF3M
1	Body	A216 WCB	A352 LCB	A217 WC6	A217 WC9	A217 C5	A351 CF8	A351 CF8M	A351 CF3	A351 CF3M
2	Seat Ring	A105	A350 LF2	A182 F11	A182 F22	A182 F5	A182 F304	A182 F316	A182 F304L	A182 F316L
3	Wedge	A216 WCB	A352 LCB	A217 WC6	A217 WC9	A217 C5	A351 CF8	A351 CF8M	A351 CF3	A351 CF3M
4	Stem	A182 F6	A182 F6	A182 F304			A182 F304	A182 F316	A182 F304L	A182 F316L
5	Bonnet nut	A194 2H	A194 4	A194 7			A194 8			
6	Bonnet bolt	A193 B7	A320 L7	A193 B16			A193 B8			
7	Gasket	SS Spiral Wound/graphite or SS Spiral Wound/PTFE								
8	Bonnet	A216 WCB	A352 LCB	A217 WC6	A217 WC9	A217 C5	A351 CF8	A351 CF8M	A351 CF3	A351 CF3M
9	Backseat bushing	A182 F6	A182 F6	A182 F304			A182 F304	A182 F316	A182 F304L	A182 F316L
10	Stem packing	Graphite or PTFE								
11	Lantern	A182 F6	A182 F6	A182 F304	A182 F304	A182 F304	A182 F304	A182 F316	A182 F304L	A182 F316L
12	Gland Nut	A194 2H			A194 8					
13	Gland Eyebolt	A194 B7			A193 B8					
14	PIN	Carbon steel or Stainless Steel								
15	Gland	A182 F6			A182 F304		A182 F316	A182 F304L	A182 F316L	
16	Gland Flange	A216 WCB			A351 CF8					
17	Stem Nut	A439 D2 or B148-952A								
18	Nipple	Carbon steel or Stainless Steel								
19	Retaining Nut	Carbon steel								
20	Hand Wheel	Ductile Iron or carbon steel								
21	Name Plate	Stainless steel or Aluminum								
22	H. W. Lock NUT	Carbon steel								

Other materials (Alloy 20, AISI321, AISI347, Monel, Hastelloy, etc) are available on request
Class 150 gate valve is not provided with Lantern

Gate Valve

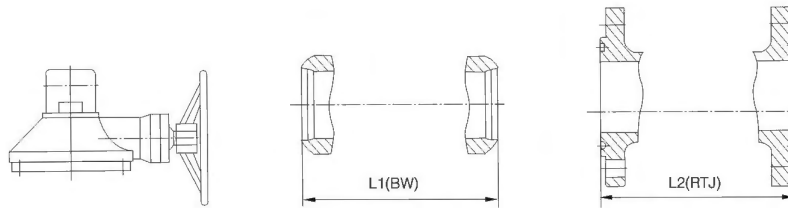
Gate Valve, Globe Valve, Plug Valve, Check Valve, Butterfly Valve, Power Station Valve, Oilfield Dedicated Valve Y-Strainer.



Class 150

Class 300

Class 600~1500



L1(BW)

L2(RTJ)

Test Pressure to API598

Class	Body Material	Shell Test (Hydrostatic)	Seat Test (Hydrostatic)	Seat Test (Air)
150	WCB	450psi	315psi	80psi
	WC6	450psi	319psi	
	CF8M	425psi	303psi	
300	WCB	1125psi	814psi	80psi
	WC6	1125psi	825psi	
	CF8M	1100psi	792psi	
600	WCB	2225psi	1628psi	80psi
	WC6	2250psi	1650psi	
	CF8M	2175psi	1548psi	
900	WCB	3350psi	2442psi	80psi
	WC6	3375psi	2475psi	
	CF8M	3250psi	2376psi	
1500	WCB	5575psi	4078psi	80psi
	WC6	5625psi	4125psi	
	CF8M	5400psi	3960psi	

Gate Valve

Gate Valve, Globe Valve, Plug Valve, Check Valve, Butterfly Valve, Power Station Valve, Oilfield Dedicated Valve Y-Strainer.

Dimensions and Weights

Class 150																							
NPS	in	2	2-1/2	3	4	5	6	8	10	12	14	16	18	20	24	28	30	32	36	40	42	48	60
DN	mm	50	60	80	100	125	150	200	250	300	350	400	450	500	600	700	750	800	900	1000	1050	1200	1500
L	in	7	7-1/2	8	9	10	10-1/2	11-1/2	13	14	15	16	17	18	20	24	24	26	28	-	-	-	-
(RF)	mm	178	190	203	229	254	267	292	330	356	381	406	432	457	508	610	610	660	711	813	813	1067	-
L1	in	8-1/2	9-1/2	11-1/8	12	15	15-7/8	16-1/2	18	19-3/4	22-1/2	24	26	28	32	36	36	38	40	-	-	-	-
(BW)	mm	216	241	283	305	381	403	419	457	502	572	610	660	711	813	914	914	965	1016	1067	1143	1371	-
L2	in	7-1/2	8	8-1/2	9-1/2	10-1/2	11	12	13-1/2	14-1/2	15-1/2	16-1/2	17-1/2	18-1/2	20-1/2	24-1/2	24-1/2	26-1/2	28-1/2	-	-	-	-
(RTJ)	mm	191	203	216	241	267	279	305	343	368	394	419	445	470	521	622	622	673	724	-	-	-	-
H	in	16-1/8	18-9/16	20-15/16	24-1/8	27-15/16	31-3/4	39	45-11/16	55-5/16	63-9/16	71-5/16	78-3/16	87	106-1/4	119-5/16	130-9/16	137-1/4	150-9/16	-	-	-	-
(OPEN)	mm	409	472	532	612	710	806	990	1186	1405	1615	1811	1986	2210	2698	3030	3317	3487	3825	-	-	-	-
W	in	7-7/8	7-7/8	9-7/8	9-7/8	11-13/16	11-13/16	13-3/4	17-11/16	19-11/16	18-1/8	18-1/8	18-1/8	24	24	24	24	24	30	-	-	-	-
	mm	200	200	250	250	300	300	350	450	500	460*	460*	460*	610*	610*	610*	610*	610*	760*	-	-	-	-
WT	RF	20	30	36	53	71	85	136	220	323	387	553	660	810	1250	1931	2380	2490	3600	4520	4950	6300	-
(kg)	BW	17	26	29	46	66	77	116	202	294	350	506	575	720	1130	1765	2028	2280	3080	-	-	-	-

*Manual gear operator is recommended

Class 300																						
NPS	in	2	2-1/2	3	4	5	6	8	10	12	14	16	18	20	24	30	32	36	40	42	48	
DN	mm	50	65	80	100	125	150	200	250	300	350	400	450	500	600	750	800	900	1000	1050	1200	
L-L1	in	8-1/2	9-1/2	11-1/8	12	15	15-7/8	16-1/2	18	19-3/4	30	33	36	39	45	55	-	-	-	-	-	-
(RF-BW)	mm	216	241	283	305	381	403	419	457	502	762	838	914	991	1143	1397	1524	1727	1955	2032	2286	-
L2	in	9-1/8	10-1/8	11-3/4	12-5/8	15-5/8	16-1/2	17-1/8	18-5/8	20-3/8	30-5/8	33-5/8	36-5/8	39-3/4	45-7/8	56	-	-	-	-	-	-
(RTJ)	mm	232	257	298	321	397	419	435	473	518	778	854	930	1010	1165	1422	1553	1756	-	-	-	-
H	in	15-3/4	18-3/4	21-3/8	25-5/8	30-5/16	34-5/8	40-13/16	50-3/16	56-5/8	65	72-7/16	79-15/16	88-3/16	114-3/16	139-3/8	-	-	-	-	-	-
(OPEN)	mm	400	477	543	650	770	880	1037	1275	1438	1650	1840	2030	2240	2900	3540	-	-	-	-	-	-
W	in	7-7/8	9-7/8	9-7/8	11-13/16	11-13/16	13-3/4	17-11/16	19-11/16	22-1/16	18/1/8	18-1/8	24	24	24	30	-	-	-	-	-	-
	mm	200	250	250	300	300	350	450	500	560	460*	460*	610*	610*	610*	760*	-	-	-	-	-	-
WT	RF	30	39	55	83	92	137	240	333	536	699	1010	1205	1720	2800	3786	4380	6000	7970	9510	12600	-
(kg)	BW	26	34	47	68	77	118	195	271	432	595	848	1025	1460	2294	3220	3800	5300	-	-	-	-

*Manual gear operator is recommended

Class 600														
NPS	in	2	2-1/2	3	4	6	8	10	12	14	16	18	20	24
DN	mm	50	65	80	100	150	200	250	300	350	400	450	500	600
L-L1	in	11-1/2	13	14	17	22	26	31	33	35	39	43	47	55
(RF-BW)	mm	292	330	356	432	559	660	787	838	889	991	1092	1194	1397
L2	in	11-5/8	13-1/8	14-1/8	17-1/8	22-1/8	26-1/8	31-1/8	33-1/8	35-1/8	39-1/8	43-1/8	47-1/4	55-3/8
(RTJ)	mm	295	333	359	435	562	664	791	841	892	994	1095	1200	1407
H	in	18-5/8	21-3/4	23-3/8	28-1/16	38-3/16	44-3/16	52-3/8	59-13/16	68-1/8	72-1/4	90-1/8	98-13/16	119
(OPEN)	mm	474	553	593	713	970	1122	1330	1519	1730	1835	2290	2510	3022
W	in	9-7/8	9-7/8	11-13/16	13-3/4	19-11/16	22-1/16	28-3/8	24	24	24	24	30	30
	mm	250	250	300	350	500	560	720	610*	610*	610*	610*	760*	760*
WT	RF	41	58	88	131	253	413	623	784	1288	1820	2150	2540	4080
(kg)	BW	35	50	68	104	208	328	496	637	1120	1448	1828	2201	3360

*Manual gear operator is recommended

Gate Valve

Gate Valve, Globe Valve, Plug Valve, Check Valve, Butterfly Valve ,
Power Station Valve , Oilfield Dedicated Valve Y-Strainer.

Dimensions and Weights

Class 900											
NPS	in	2	2-1/2	3	4	6	8	10	12	14	16
DN	mm	50	65	80	100	150	200	250	300	350	400
L-L1 (RF-BW)	in	14-1/2	16-1/2	15	18	24	29	33	38	40-1/2	44-1/2
	mm	368	419	381	457	610	737	838	965	1029	1130
L2 (RTJ)	in	14-5/8	16-5/8	15-1/8	18-1/8	24-1/8	29-1/8	33-1/8	38-1/8	40-7/8	44-7/8
	mm	371	422	384	460	613	740	841	968	1038	1140
H (OPEN)	in	21-9/16	27-9/16	25-1/2	28-11/16	41	49-5/8	62-5/8	70-11/16	79-3/4	85-7/16
	mm	547	700	648	729	1041	1260	1590	1795	2025	2170
W	in	11-13/16	14	15-3/4	17-11/16	22-1/16	18-1/8	24	24	30	30
	mm	300	355	400	450	560	460*	610*	610*	760*	760*
WT	RF	90	110	123	148	420	650	1160	1700	2300	2750
(KG)	BW	82	93	108	122	359	566	980	1450	2000	2390

*Manual gear operator is recommended

Class 1500											
NPS	in	2	2-1/2	3	4	6	8	10	12	14	16
DN	mm	50	65	80	100	150	200	250	300	350	400
L-L1 (RF-BW)	in	14-1/2	16-1/2	18-1/2	21-1/2	27-3/4	32-3/4	39	44-1/2	49-1/2	54-1/2
	mm	368	419	470	546	705	832	991	1130	1257	1384
L2 (RTJ)	in	14-5/8	16-5/8	18-5/8	21-5/8	28	33-1/8	39-3/8	45-1/8	50-1/4	55-3/8
	mm	371	422	473	549	711	841	1000	1146	1276	1407
H (OPEN)	in	22-5/8	27-9/16	31-3/4	34-15/16	42-1/2	53-15/16	59-13/16	65	76-9/16	88-9/16
	mm	574	700	806	887	1079	1370	1520	1651	1945	2250
W	in	13-3/4	15-3/4	17-3/4	22-1/16	12	24	30	30	30	30
	mm	350	400	450	560	305*	610*	760*	760*	760*	760*
WT	RF	117	175	240	337	680	1228	2278	3260	4100	5960
(KG)	BW	93	144	185	285	584	978	1990	2850	3320	4890

*Manual gear operator is recommended

Parallel Slab Gate Valve Class 150-600

Gate Valve, Globe Valve, Plug Valve, Check Valve, Butterfly Valve, Power Station Valve, Oilfield Dedicated Valve Y-Strainer.

Valves designed to API 6D
 Valves tested to API and API598
 Face-to-Face to API and ANSI B16.10
 RF flanged ends to ANSI B16.5

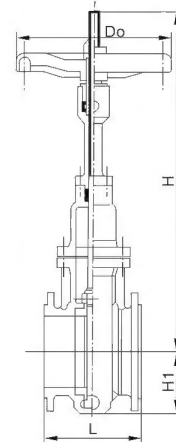
Standard Material Specifications

Part Name	Material
Body & Bonnet	A216 WCB, CF8, CF8M, CF3, CF3M
Wedge	Alloy Steel(face harden treated), Stainless steel(with Co overlay)
Stem	Alloy Steel(face erosion-resistant treated)
Seat	Alloy Steel(race Harden Treated, Beset F plastic), Steel(with Co overlay, Beset F plastic)
Packing	PTFE
O-Ring	NBR, FEP
Sealing Grease	

Parallel Plate Gate Valve Without Diversion Hole Dimensions

mm

Class	Size	2"	3"	4"	6"	8"	10"	12"	14"	16"	18"	20"
150	L	178	203	229	267	292	330	356	381	406	432	457
	H	415	530	692	895	1080	1360	1495	1700	1950	2250	2465
	H1	80	98	110	150	170	210	240	265	295	325	335
	Do	250	300	350	350	350	400	500	600	-	-	-
300	L	216	283	305	403	419	457	502	762	838	914	991
	H	415	530	692	895	1080	1360	1495	1700	1950	2250	2465
	H1	80	98	125	180	200	235	280	330	370	400	440
	Do	250	300	350	350	350	400	500	600	-	-	-
600	L	292	356	432	559	660	787	838	889	991	-	-
	H	415	530	692	895	1080	1360	1495	1700	1950	-	-
	H1	80	98	125	180	200	235	280	330	370	-	-
	Do	250	300	350	400	500	600	-	-	-	-	-



Parallel Plate Gate Valve Without Diversion Hole Dimensions

mm

Class	Size	2"	3"	4"	6"	8"	10"	12"	14"	16"	18"	20"
150	L	178	203	229	267	292	330	356	381	406	432	457
	H	415	530	692	895	1080	1360	1495	1700	1950	2250	2465
	H1	410	195	240	330	410	510	600	685	800	870	955
	Do	250	300	350	350	350	400	500	600	-	-	-
300	L	216	283	305	403	419	457	502	762	838	914	991
	H	415	530	692	895	1080	1360	1495	1700	1950	2250	2465
	H1	140	195	240	330	410	510	600	685	800	870	995
	Do	250	300	350	350	350	400	500	600	-	-	-
600	L	292	356	432	559	660	787	838	889	991	-	-
	H	415	530	692	895	1080	1360	1495	1700	1950	-	-
	H1	410	195	240	330	410	510	600	685	800	-	-
	Do	250	300	350	400	500	600	-	-	-	-	-

